



LSR - 3000

Hand held

Superior Vocal Microphone that brings Studio Sound on Stage. Based on the same capsule as used in the famous VM-44 system.



*Handmade in Sweden
with lifetime warranty*

LSR-3000 Condenser Microphone

Art.No 1131

Superior Vocal Microphone that brings Studio Sound on Stage. Based on the same capsule as used in the famous VM-44 system.

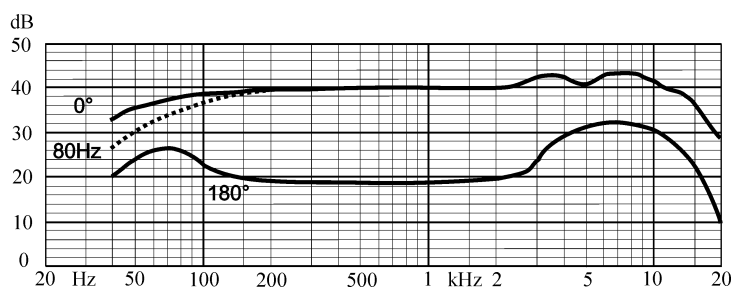
- **Transformerless**
- **Shock absorbing rubber fitted capsule**
- **Insensitive to hand noise**
- **Built-in pop protection**
- **- 12 dB switchable pad**
- **80 Hz switchable high pass filter**
- **Capable to handle 150 dB**

Frequency response (see graph)	40 - 20 000 Hz
Polar pattern	Cardioid
Filter (switchable)	80 Hz high pass
Pre-attenuation (switchable)	- 12 dB
Max. SPL (1 % THD at 1 kHz)	138/150 dB
Sensitivity at 1kHz	13 mV / Pa \pm 1 dB
A-weighted noise level(IEC 179-A)	21 dB
Power supply	48 V phantom
Current consumption	4 mA
Output impedance	< 200 Ω
Minimum load impedance	1 k Ω
Connection	3-pin XLR pin 1: earth (Shield) pin 2: plus (Hot) pin 3: minus (Cold)
Net weight	295 g
Lenght	185 mm
Diameter	24 / 47 mm

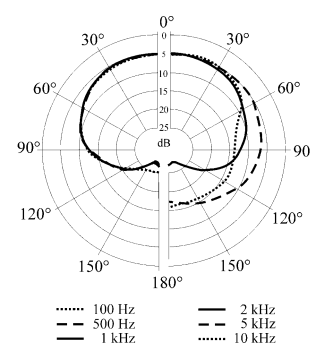


Frequency response (at 1m distance)

The frequency response may vary within $\pm 2,5$ dB of the published graph.
Before delivery, each microphone is measured and accompanied with it's own graph.



Polar diagram



Milab Microphones AB

Mailing address
P. O. Box 1342
S-251 13 HELSINGBORG
SWEDEN

Office address
Norra Strandgatan 4

Phone
+46 42 381620

Fax
+46 42 136350

E-mail
milab@milabmic.com
Internet
www.milabmic.com