

## VM-44 SYSTEM Interchangeable capsules

Interchangeable capsules for to the VM-44 system. Designed for recording in the best of acoustic environment, and there bringing out the maximum clarity.

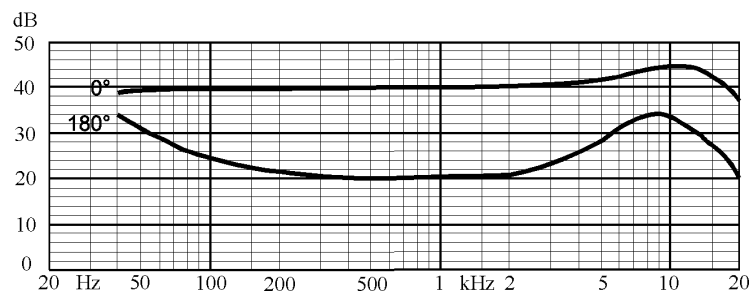


### Cardiod Capsule

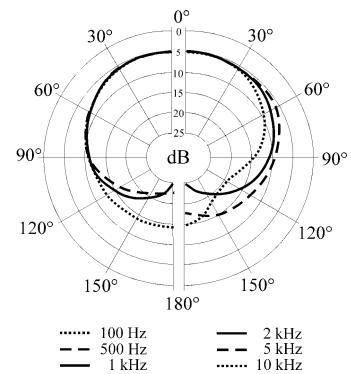
Frequency response ( see graph )  
 Max. SPL ( 1% THD at 1 kHz)  
 Sensitivity at 1kHz  
 A-weighted noise level

20 - 20 000 Hz  
 128 / 140 dB  
 14,5 mV / Pa  $\pm$  1 dB  
 21 dB

Frequency response at 1m distance



Polar diagram

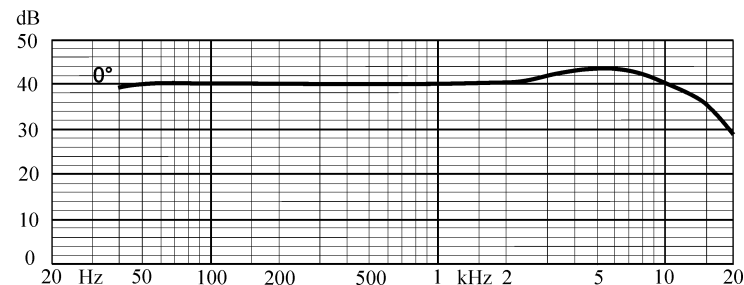


### Omni Capsule

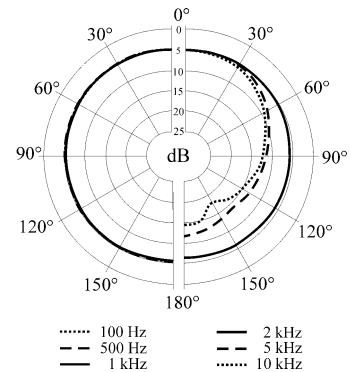
Frequency response ( see graph )  
 Max. SPL ( 1% THD at 1 kHz)  
 Sensitivity at 1kHz  
 A-weighted noise level

20 - 20 000 Hz  
 124 / 136 dB  
 25 mV / Pa  $\pm$  1 dB  
 17 dB

Frequency response at 1m distance



Polar diagram



*The frequency response may vary within  $\pm 2,5$  dB of the published graph.  
 Before delivery, each microphone is measured and accompanied with it's own graph.*

### Milab Microphones AB

Mailing address  
 P. O. Box 1342  
 S-251 13 HELSINGBORG  
 SWEDEN

Office address  
 Norra Strandgatan 4

Phone  
 +46 42 381620

Fax  
 +46 42 136350

E-mail  
[milab@milabmic.com](mailto:milab@milabmic.com)  
 Internet  
[www.milabmic.com](http://www.milabmic.com)